

# CUSTOMER DRAWING

All copyrights in this drawing shall remain the exclusive property of STELLATEC ENGINEERING PTY LTD and shall not be disclosed by the recipient to third persons without the prior written consent of the company. It is supplied without liability for errors or omissions.



### GENERAL NOTES.

6 PISTON DIFFERENTIAL BORE BRAKE CALIPER TO SUIT 355mm TO 380mm x 32mm DISC ROTORS.

### APPLICATION.

MOTOR SPORT - OFF ROAD.

### TECHNICAL INFORMATION.

TOTAL PISTON AREA = 83 cm<sup>2</sup>  
 PISTON SIZES = 40, 42, 44 mm  
 EFFECTIVE RADIUS = 0.165 m (380 DISC)  
 0.153 m (355.6 DISC)  
 RECOMMENDED LINE PRESSURE RANGE 40 TO 80 BAR  
 PISTON MATERIAL = TITANIUM  
 BODY MATERIAL = ALUMINIUM ALLOY 540 MPa  
 BODY STUD MATERIAL = TITANIUM  
 COATING = CERAKOTE  
 ASSEMBLY WEIGHT = 3.98 kg  
 RADIAL MOUNT HOLES = 12 mm

### INSTALLATION INFORMATION.

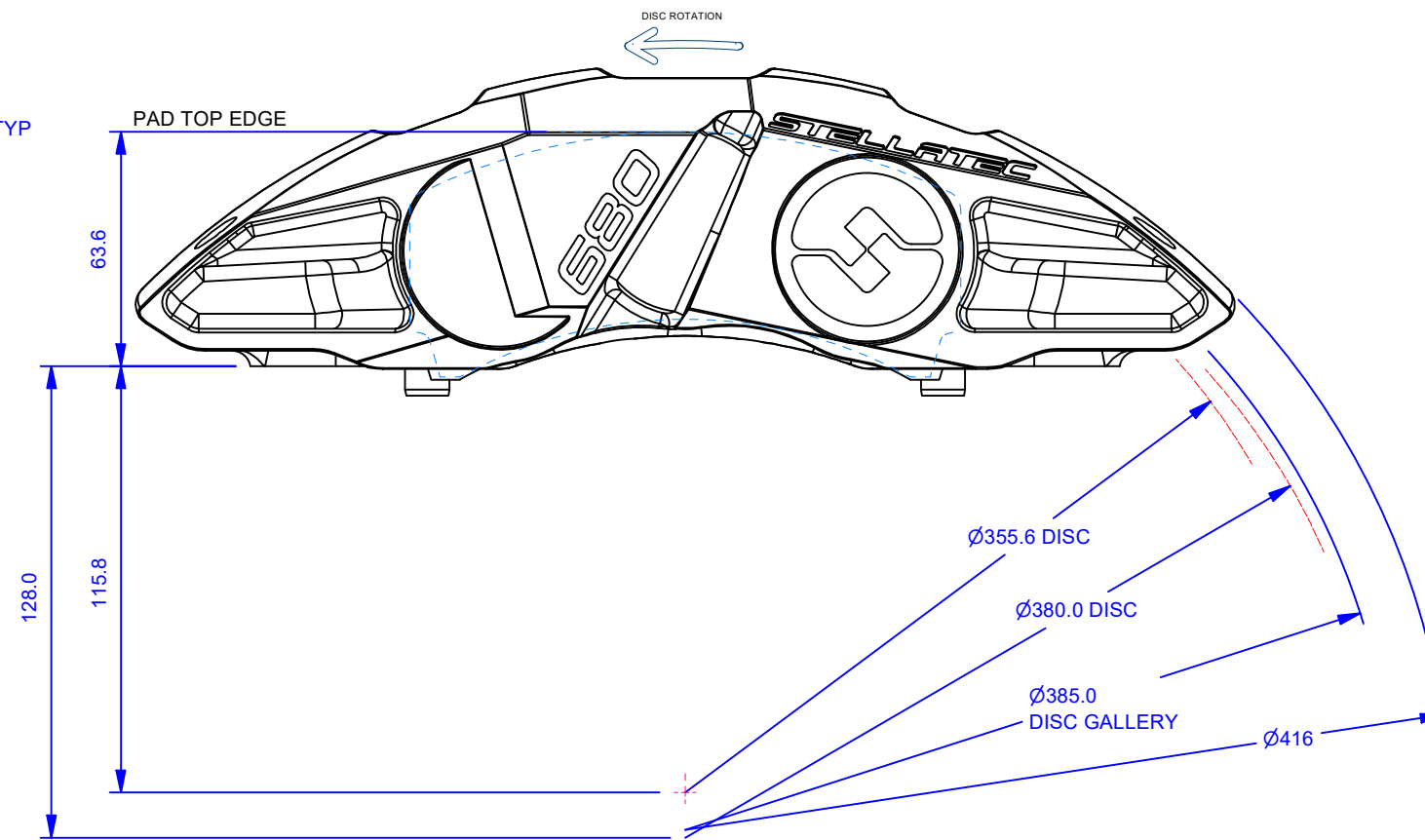
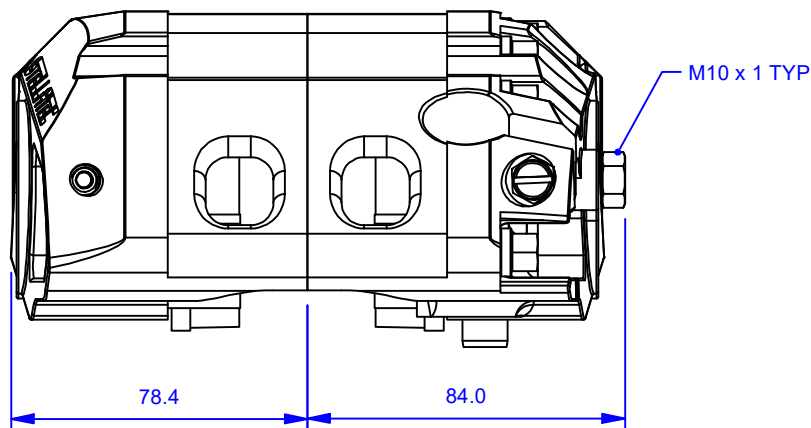
CALIPER MUST BE POSITIONED SUCH THAT THE DISC ROTATION MATCHES THE DIRECTION ARROW ON THE CALIPER BODY.  
 CALIPER MAY BE MOUNTED IN THE LEADING OR TRAILING POSITION.  
 DISC ROTOR CLEARANCE SHOULD BE MINIMUM 2.5mm FROM THE CALIPER BODY.

### TORQUE SETTINGS.

M10 x 1 BLEED NIPPLE / BANJO BOLT = 16 Nm  
 M8 x 1.25 BOLTS = 38 Nm  
<sup>5</sup>/<sub>16</sub>" UNF PORT PLUGS = 26 Nm  
<sup>7</sup>/<sub>16</sub>" UNF ADAPTOR STUDS = 72 Nm

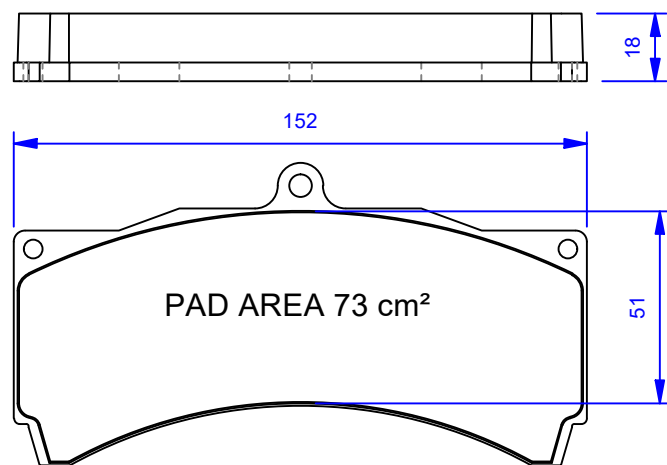
### PART NUMBERS.

680-101 = RADIAL MOUNT CCW ROTATION  
 680-102 = RADIAL MOUNT CW ROTATION



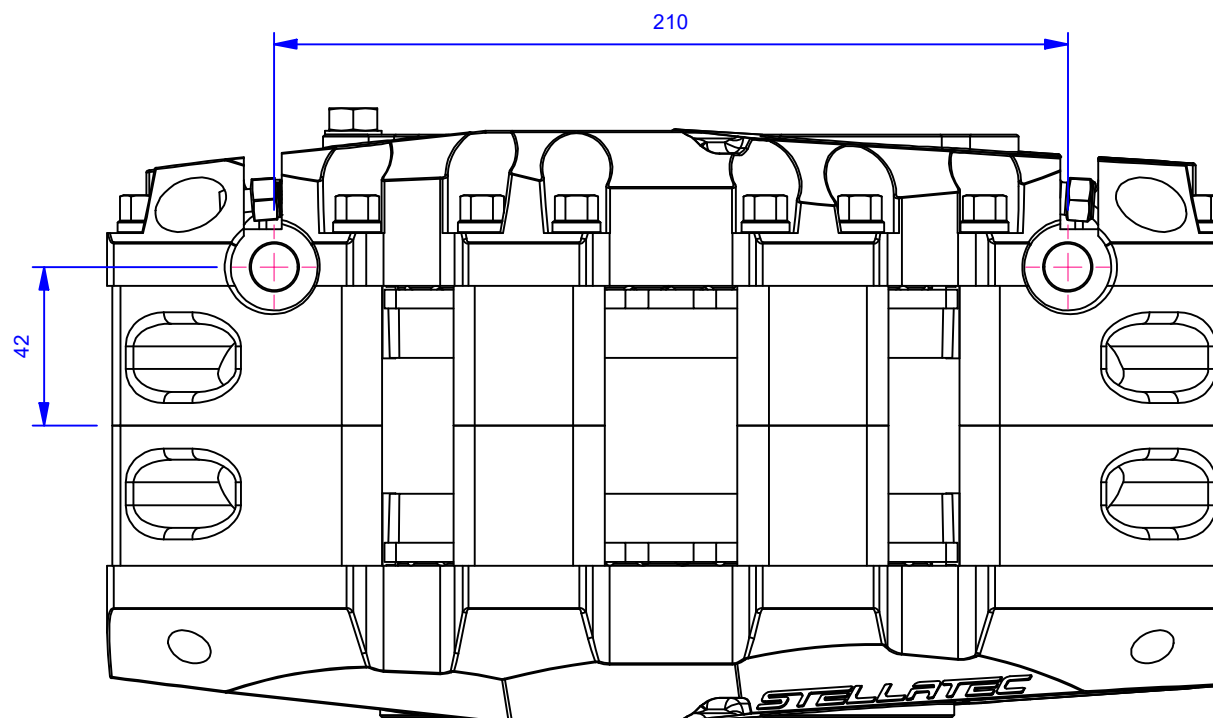
MASTER CYLINDER GUIDE (2 x CALIPERS)

PISTON SIZE	AREA	M/CYL TO PIST RATIO
19.1mm (3/4")	2.85 cm <sup>2</sup>	58.2 : 1
20.6mm (13/16")	3.33 cm <sup>2</sup>	49.8 : 1
22.2mm (7/8")	3.87 cm <sup>2</sup>	42.9 : 1
23.8mm (15/16")	4.45 cm <sup>2</sup>	37.3 : 1
25.4mm (1.0")	5.07 cm <sup>2</sup>	32.7 : 1
27.0mm (1-1/16")	5.72 cm <sup>2</sup>	29.0 : 1



FRICITION MANUFACTURERS

MFR	PART NUMBER
AP RACING	CP3894 D51
FERODO	FRP 3054
PAGID	1903
PFC	7793
RABESTOS	STxxR2602T18
HAWK	HB122x.710



BAR	PSI	FORCE (N)
40	580	16650
50	725	20813
60	870	24976
70	1015	29138
80	1160	33301

REV	DESCRIPTION	ZN	DATE	APPR.
A	INITIAL RELEASE		9/02/2023	ENG

### ALTERATIONS

AUTHOR	CREATION DATE	CATEGORY	SHEET
SPG	9/02/2023	MOTORSPORT	1 OF 3

TITLE  
**STELLATEC 680 BRAKE CALIPER, RADIAL MOUNT**

DRAWING NO.  
**680-101**

**A3**

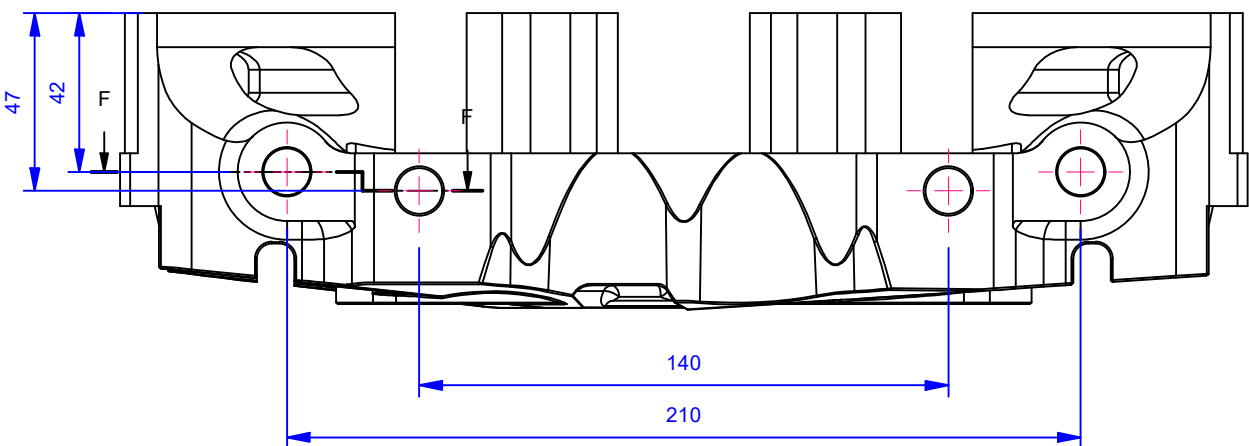
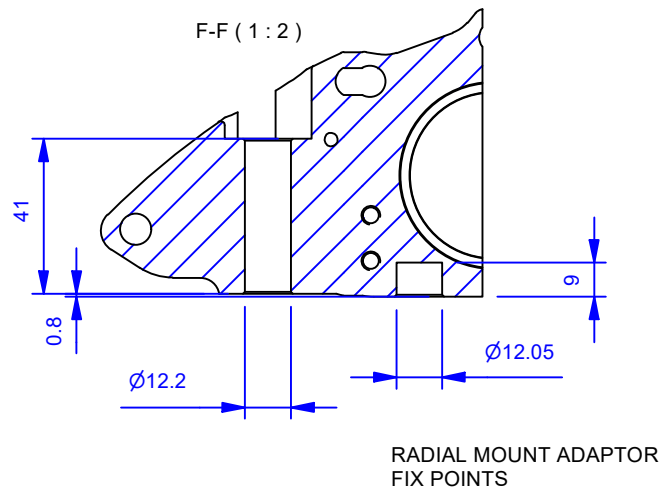
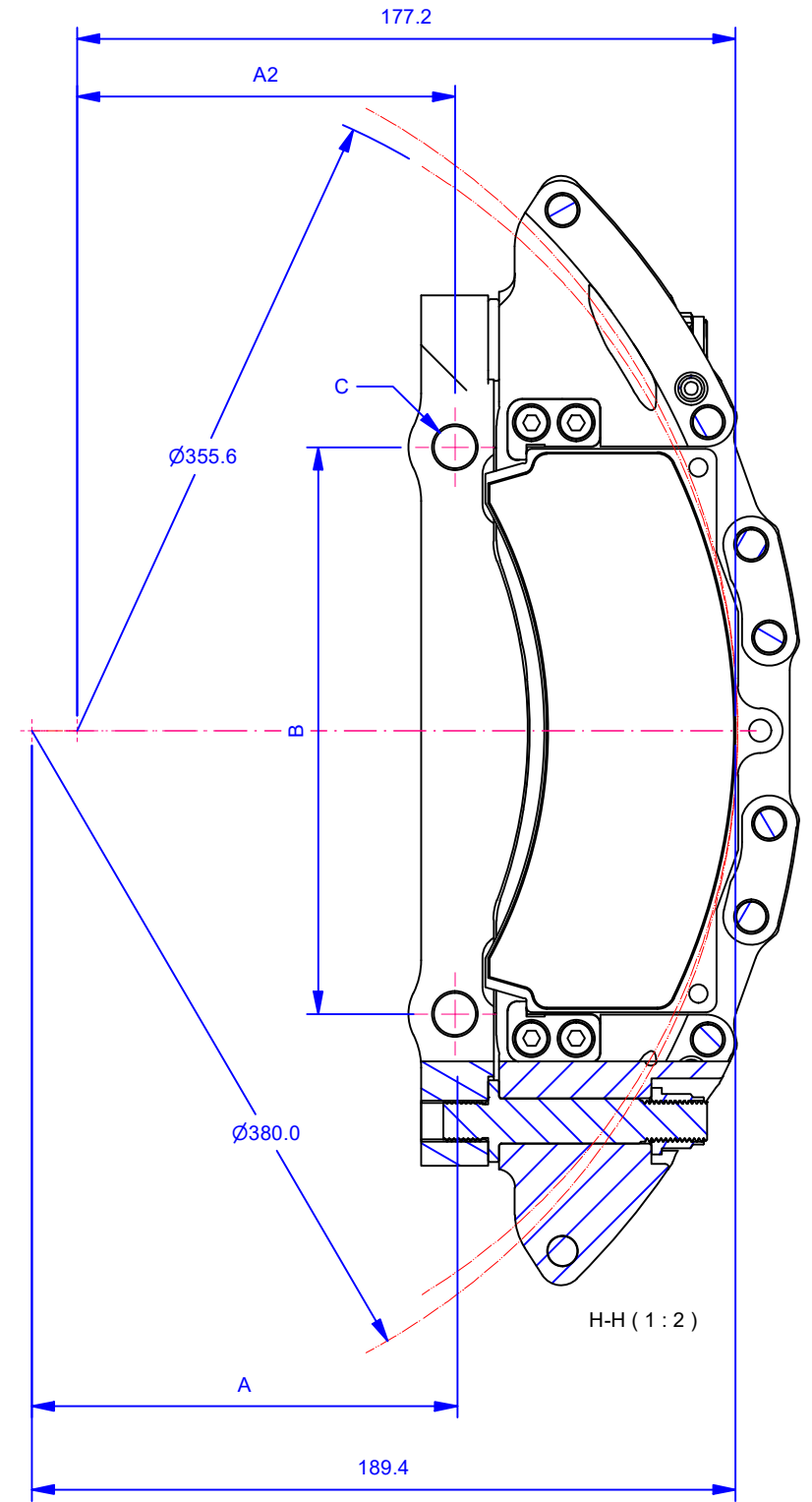
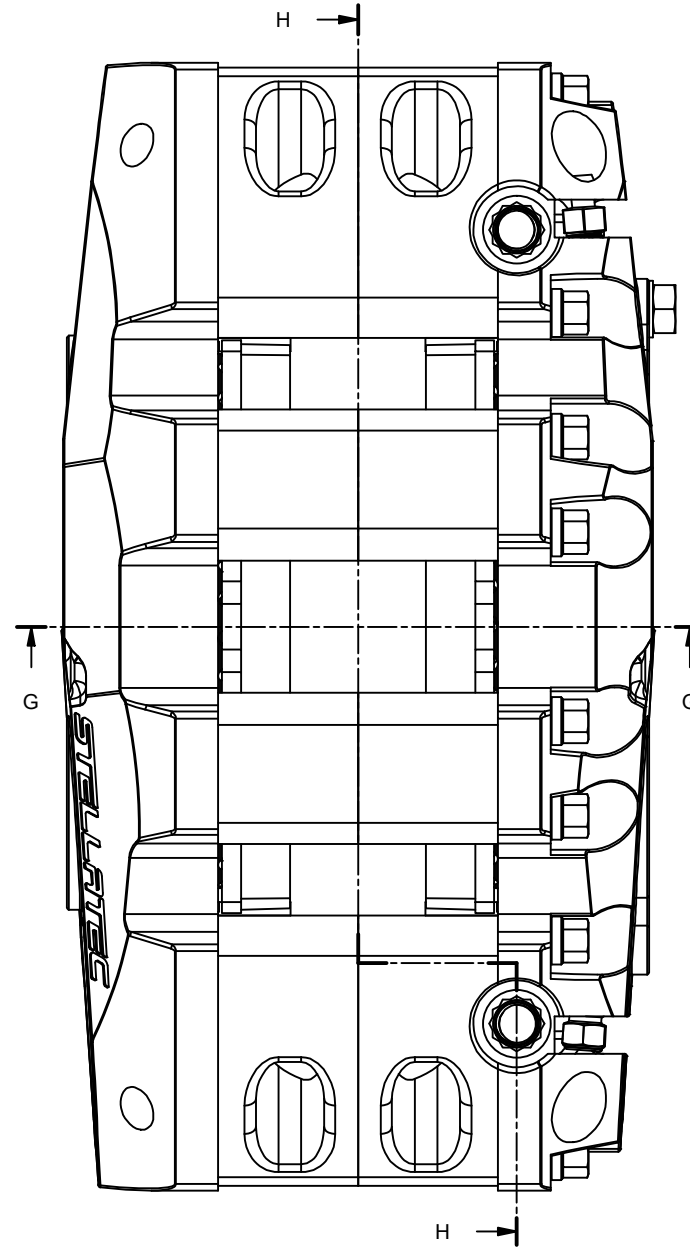
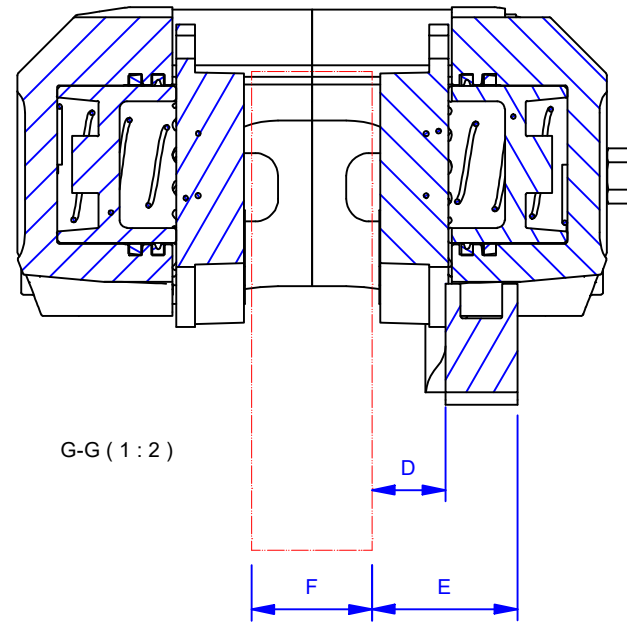
ALL DIMENSIONS IN MILLIMETRES - DO NOT SCALE

# CUSTOMER DRAWING

All copyrights in this drawing shall remain the exclusive property of STELLATEC ENGINEERING PTY LTD and shall not be disclosed by the recipient to third persons without the prior written consent of the company. It is supplied without liability for errors or omissions.



## MOUNT ADAPTOR DESIGN GUIDE



ADAPTOR DIMENSIONS		
FEATURE	DIMENSION	COMMENTS
A		MOUNT HEIGHT FROM AXLE 380 DISC
A2		MOUNT HEIGHT FROM AXLE 355 DISC
B		MOUNT PITCH
C		MOUNT HOLE BOLT DIA OR THREAD
D		ROTOR EDGE TO INSIDE MOUNT FACE
E		ROTOR EDGE TO OUTSIDE MOUNT FACE
F		DISC THICKNESS

AUTHOR SPG	CREATION DATE 9/02/2023	CATEGORY MOTORSPORT	SHEET 2 OF 3
TITLE STELLATEC 680 BRAKE CALIPER, RADIAL MOUNT			
DRAWING NO. 680-101			A3

ALL DIMENSIONS IN MILLIMETRES - DO NOT SCALE